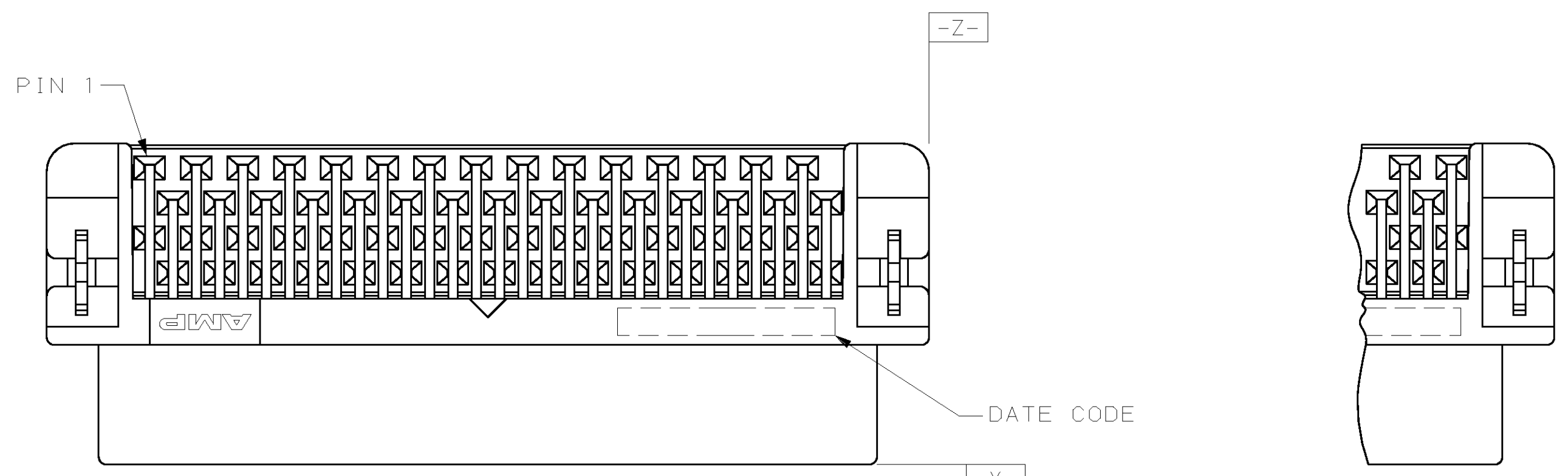


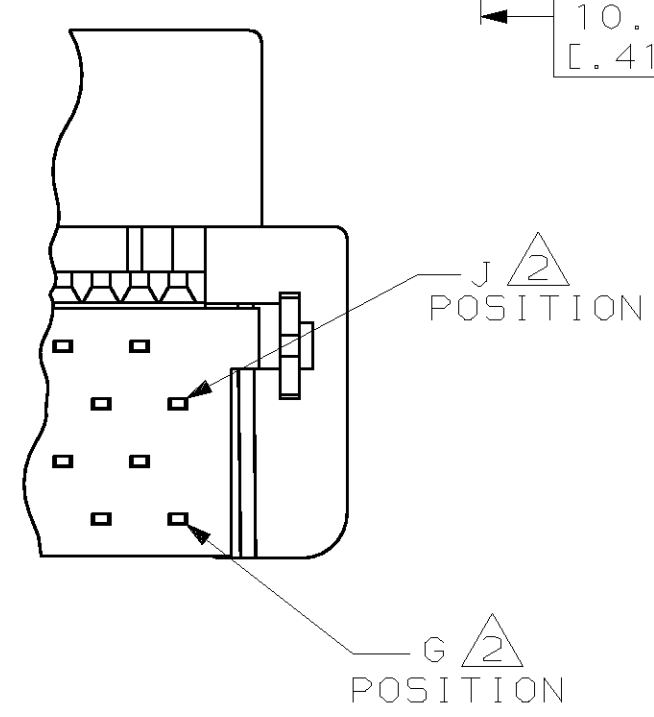
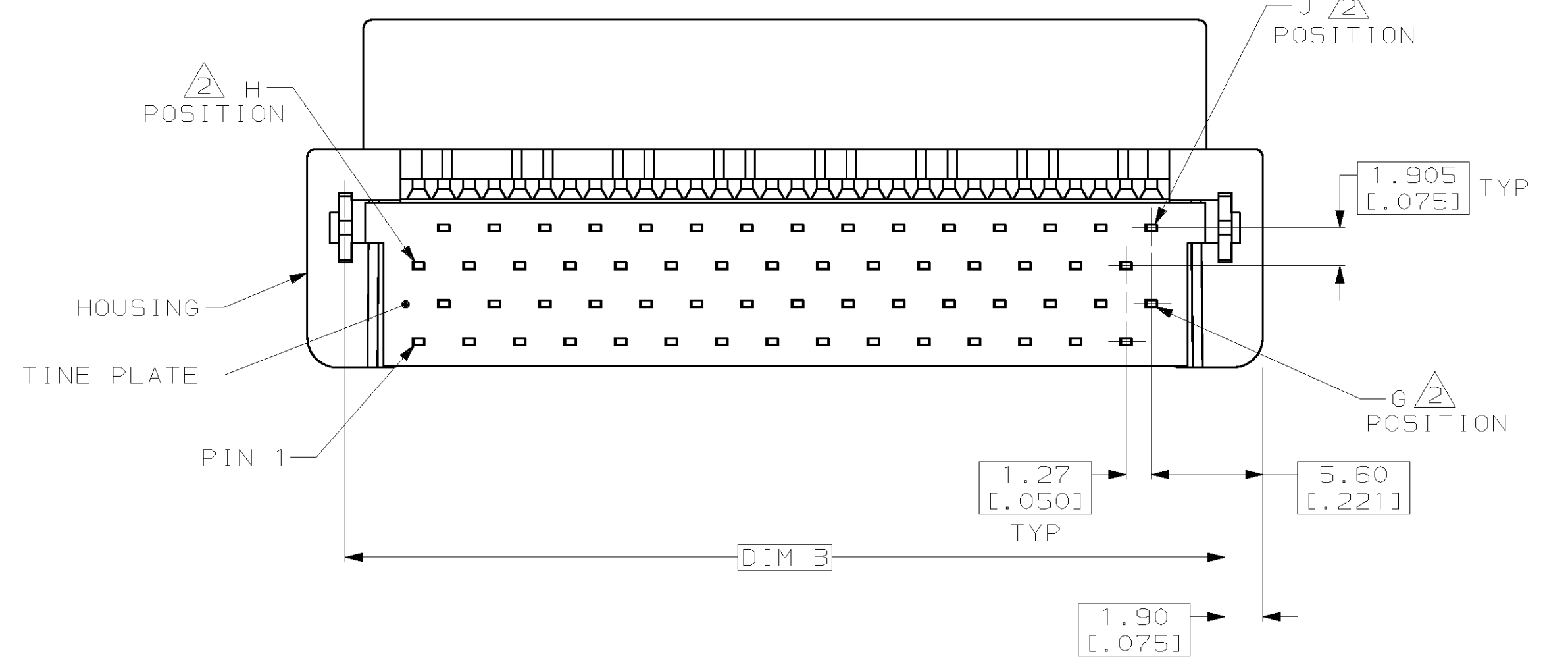
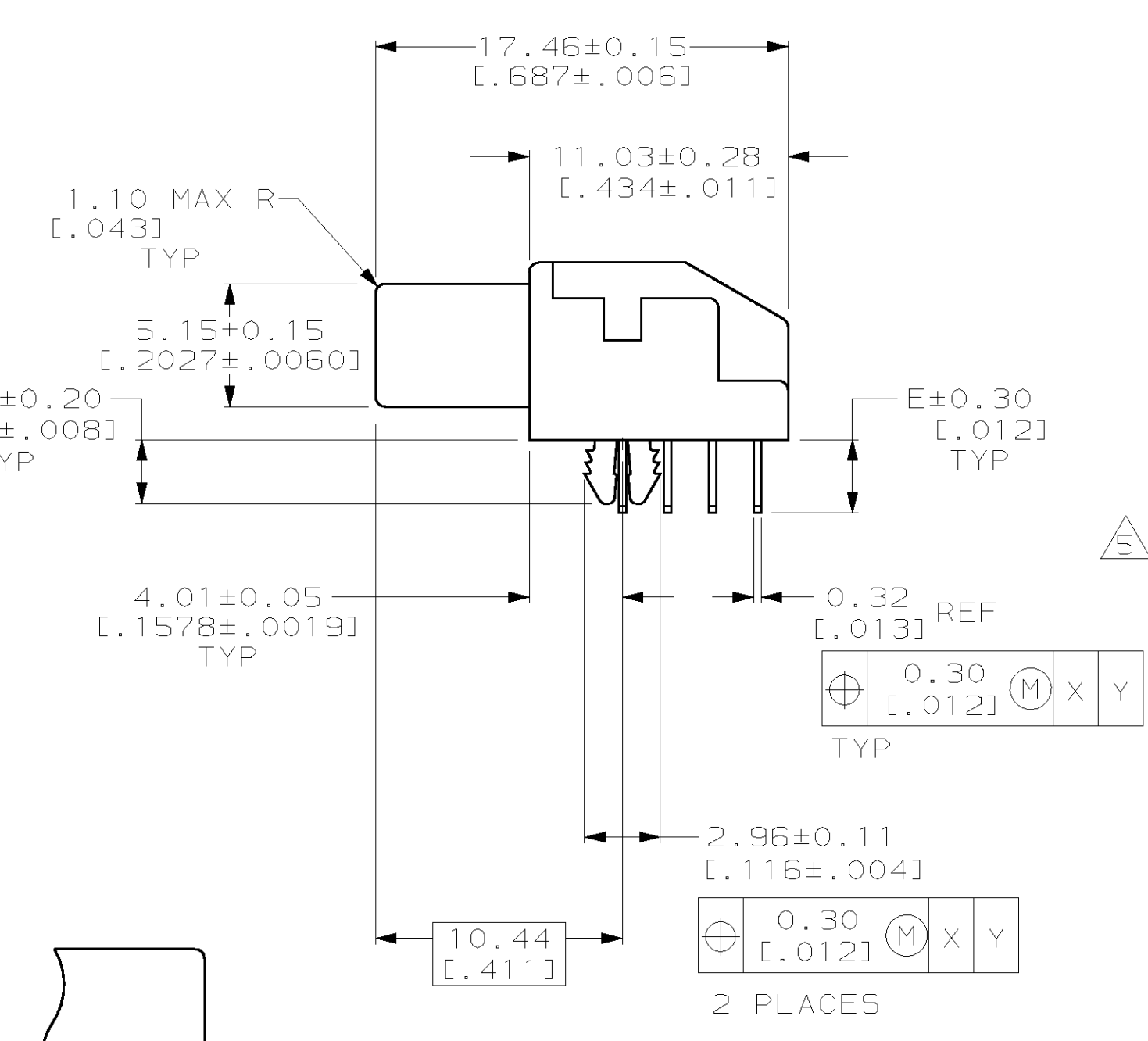
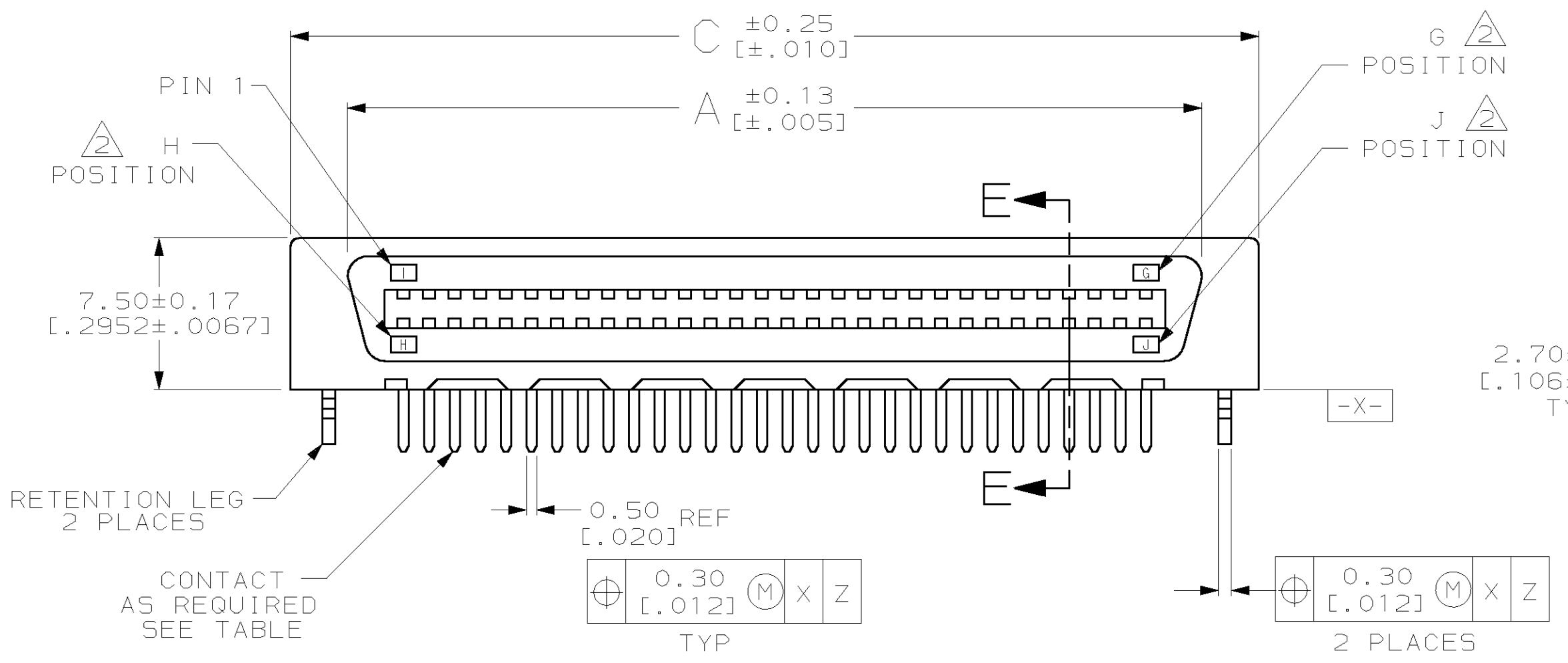
LOC	DIST	P	F	ZONE	LTR	REVISIONS	DATE	APPD
DW	00				AF	REVISED PER EC 0513-0486-03	15MAR04	JR

- 1 HOUSING & TINE PLATE - LIQUID CRYSTAL POLYMER (LCP), UL 94V-0, BLACK.
- 2 G, J, AND H INDICATES NUMBER OF POSITION MARKED ON ASSEMBLY. ALSO SEE TABLE.
- 3. CONNECTOR SOLDER TAILS WILL ACCOMMODATE PRINTED CIRCUIT BOARD THICKNESS OF 0.80 TO 1.60 [.031 TO .063].
- 4 CONNECTOR WILL ACCOMMODATE MATING PRINTED CIRCUIT BOARD OF 1.60±0.07 [.063±.003]
- 5 RETENTION LEGS NOT PRESENT.
- 6 OBSOLETE PART NUMBER.
- 7 CONTACTS - PHOSPHER BRONZE PLATED WITH MINIMUM GOLD THICKNESS (SEE TABLE) IN CONTACT AREA AND 0.0038 [.000150] MINIMUM THICK TIN-LEAD ON SOLDER TINES OVER 0.00127 [.000050] MINIMUM THICK NICKEL UNDERPLATE.
- 8 RETENTION LEGS - BRASS PLATED WITH 0.0038 [.000150] MINIMUM TIN-LEAD OVER 0.00127 [.000050] MINIMUM NICKEL UNDERPLATE.
- 9 RETENTION LEGS - BRASS PLATED WITH 0.0038 [.000150] MINIMUM TIN OVER 0.00127 [.000050] MINIMUM NICKEL UNDERPLATE.



FOR 40, 60, 68, 80, 100, 120, 140, 160, 180, 200 POSITIONS ONLY

FOR 50, AND 130 POSITIONS ONLY

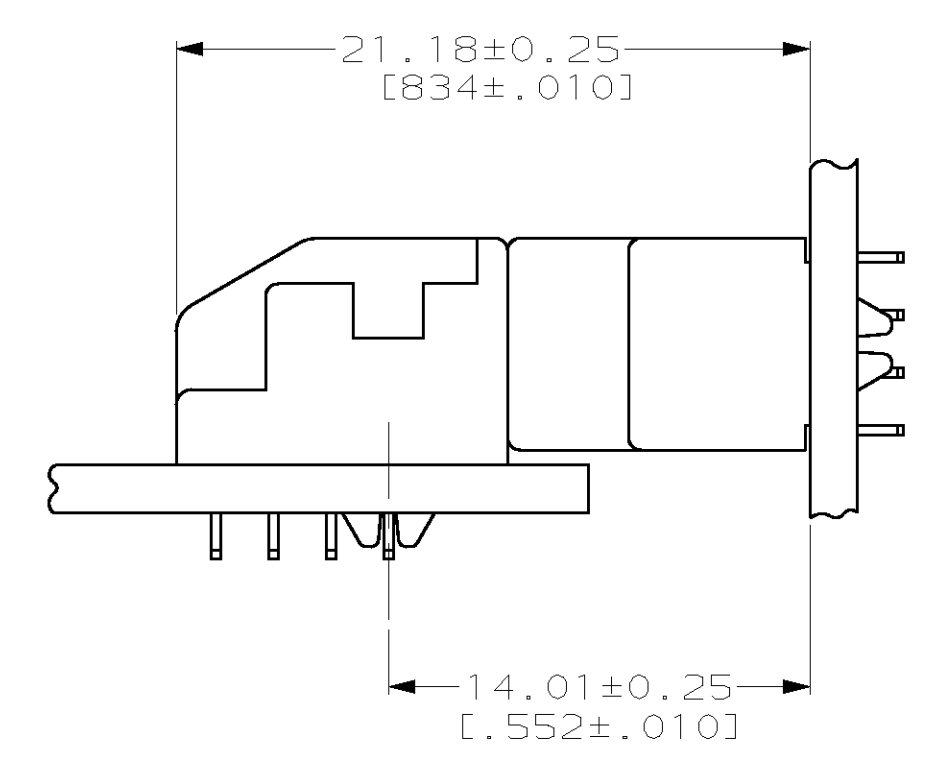
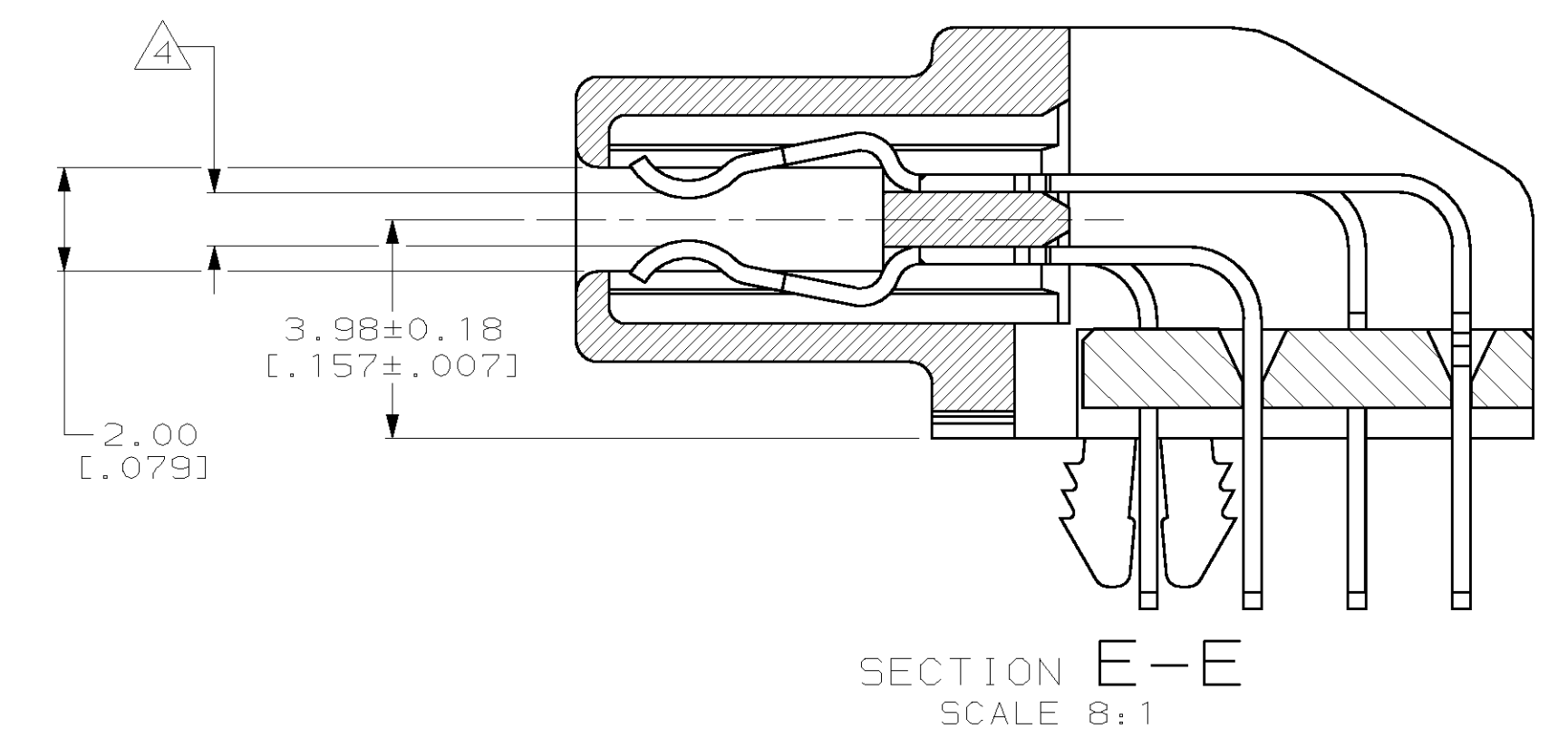
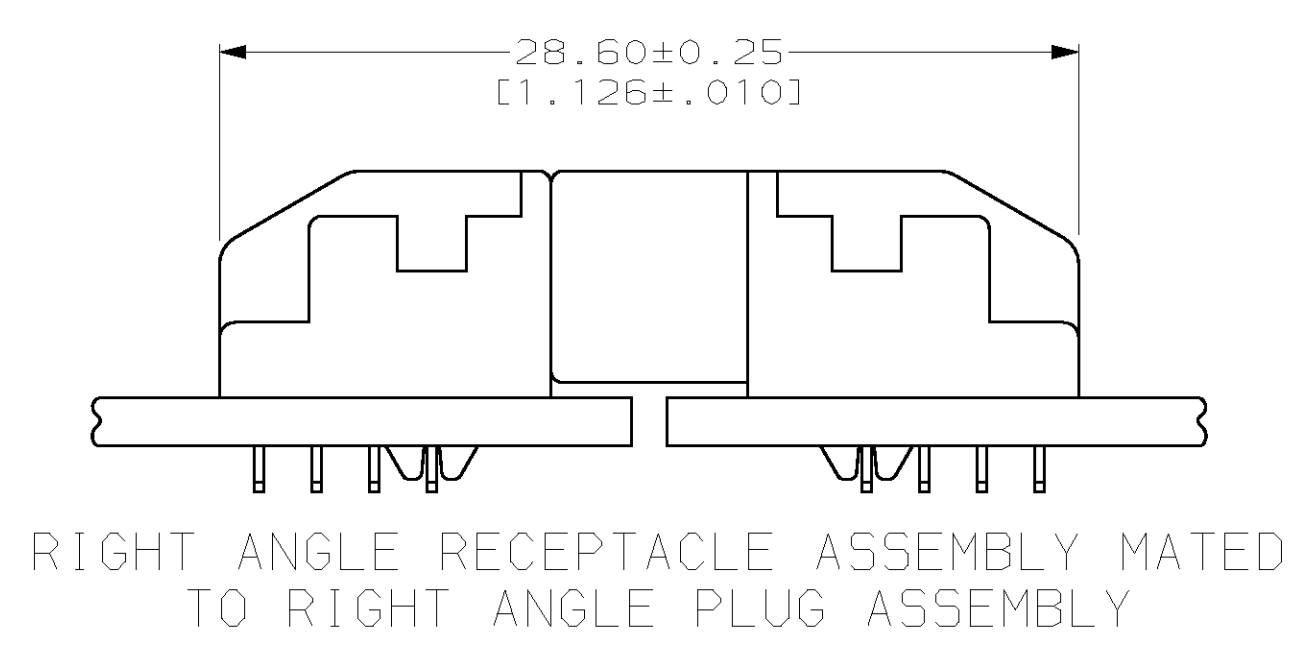
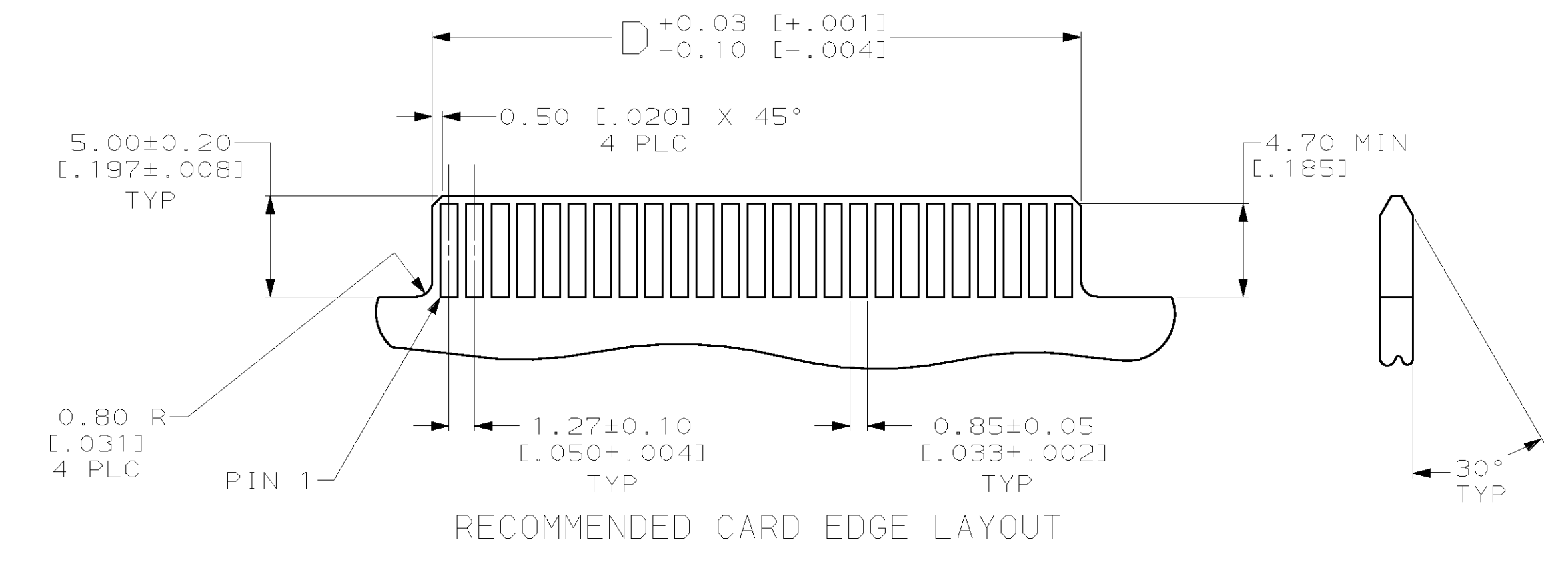
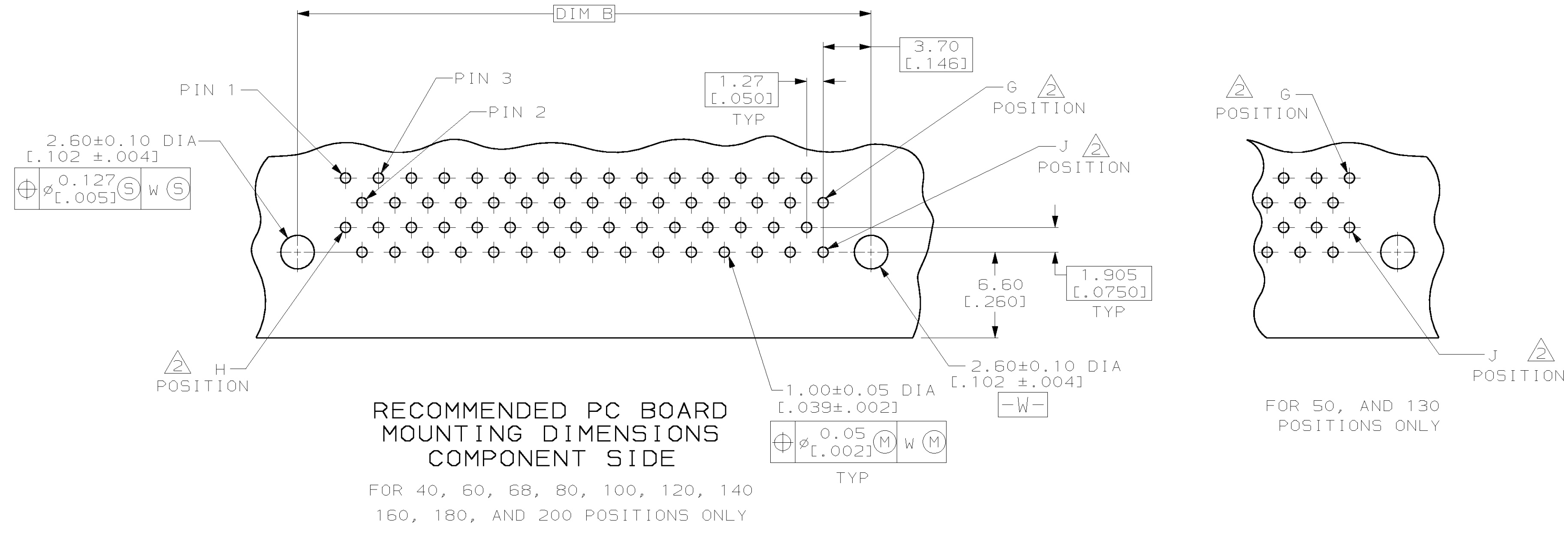


PRELIMINARY NOT RELEASED FOR PRODUCTION

NOTES	E	D	C	B	A	G	J	H	GOLD	POS	PART NO
1 7 8	2.55 [.100]	43.61 [1.717]	53.11 [2.091]	49.31 [1.941]	47.45 [1.868]	34	68	35	0.00076 [.000030]	68	5-557101-7
1 7 9	3.10 [.122]	76.63 [3.017]	86.13 [3.391]	82.33 [3.242]	80.47 [3.168]	60	120	61	0.00076 [.000030]	120	5-557101-6
1 7 9	3.10 [.122]	32.18 [1.267]	41.68 [1.641]	37.88 [1.492]	36.02 [1.418]	25	50	26	0.00076 [.000030]	50	5-557101-5
1 7 9	3.10 [.122]	25.83 [1.017]	35.33 [1.391]	31.53 [1.242]	29.67 [1.168]	20	40	21	0.00076 [.000030]	40	5-557101-4
1 7 8	3.10 [.122]	114.73 [4.517]	124.23 [4.891]	120.43 [4.741]	118.57 [4.668]	90	180	91	0.00076 [.000030]	180	5-557101-3
1 7 8	3.10 [.122]	89.33 [3.517]	98.83 [3.891]	95.03 [3.742]	93.17 [3.668]	70	140	71	0.00076 [.000030]	140	4-557101-9
1 7 8	3.10 [.122]	127.43 [5.017]	136.93 [5.391]	133.13 [5.242]	131.27 [5.168]	100	200	101	0.00076 [.000030]	200	4-557101-1
1 7 8	3.10 [.122]	102.03 [4.017]	111.53 [4.391]	107.73 [4.242]	105.87 [4.168]	80	160	81	0.00076 [.000030]	160	3-557101-7
1 7 8	3.10 [.122]	-	92.48 [3.641]	88.68 [3.492]	86.82 [3.418]	65	130	66	0.00076 [.000030]	130	3-557101-3
1 7 8	3.10 [.122]	76.63 [3.017]	86.13 [3.391]	82.33 [3.242]	80.47 [3.168]	60	120	61	0.00076 [.000030]	120	2-557101-9
1 7 8	3.10 [.122]	63.93 [2.517]	73.43 [2.891]	69.63 [2.742]	67.77 [2.668]	50	100	51	0.00076 [.000030]	100	2-557101-6
1 7 8	3.10 [.122]	63.93 [2.517]	73.43 [2.891]	69.63 [2.742]	67.77 [2.668]	50	100	51	0.00076 [.000030]	100	2-557101-5
1 7 8	3.10 [.122]	51.23 [2.017]	60.73 [2.391]	56.93 [2.242]	55.07 [2.168]	40	80	41	0.00076 [.000030]	80	2-557101-1
1 7 8	3.10 [.122]	43.61 [1.717]	53.11 [2.091]	49.31 [1.941]	47.45 [1.868]	34	68	35	0.00076 [.000030]	68	1-557101-7
1 7 8	3.10 [.122]	-	48.03 [1.891]	44.23 [1.742]	42.37 [1.668]	30	60	31	0.00076 [.000030]	60	1-557101-3
1 7 8	3.10 [.122]	32.18 [1.267]	41.68 [1.641]	37.88 [1.492]	36.02 [1.418]	25	50	26	0.00076 [.000030]	50	557101-9
1 7 8	3.10 [.122]	25.83 [1.017]	35.33 [1.391]	31.53 [1.242]	29.67 [1.168]	20	40	21	0.00076 [.000030]	40	557101-5
1 7 8	3.10 [.122]	-	28.98 [1.141]	25.18 [1.992]	23.32 [1.918]	15	30	16	0.00076 [.000030]	30	557101-1

DO NOT SCALE PRINT. UNLESS SPECIFIED DIMENSIONS IN mm [INCHES] TOLERANCES ON:	DR 8-21-89 A.HOLT	AMP INCORPORATED Harrisburg, Pa. 17105
2 PLC DEC ± -	CHK 10-3-89 N.JONES	
3 PLC DEC ± -	APPD 12-4-89 T.PIZZULO	
ANGLES ± -	APPD 12-4-89 J.B.WILKERSON	NAME
MATERIAL	PRODUCT SPEC 108-1367	RECEPTACLE ASSEMBLY, RIGHT ANGLE, BOARD-TO-BOARD, CHAMP™ .050, SERIES I
SEE TABLE	APPLICATION SPEC 114-6045	SIZE D
SEE TABLE	WEIGHT	CAGE CODE 00779
		DRAWING NO 557101
		SHEET 1 OF 2

LOC		DIST		P		F		ZONE		LTR		REVISIONS	
DESCRIPTION	DATE	APPD											
DW	00												AF SEE SHEET 1



DO NOT SCALE PRINT. UNLESS SPECIFIED DIMENSIONS IN mm [INCHES] TOLERANCES ON:		DR 6-8-90 R. MARTIN		AMP INCORPORATED Harrisburg, Pa. 17105	
2 PLC DEC ±		CHK 10-3-89 N. JONES			
3 PLC DEC ±		APPD 12-4-89 T. PIZZULO		NAME	
ANGLES ±		APPD 12-4-89 J.B. WILKERSON		RECEPTACLE ASSEMBLY, RIGHT ANGLE, BOARD-TO-BOARD, CHAMP™ .050, SERIES I	
MATERIAL		PRODUCT SPEC		SIZE	
FINISH		APPLICATION SPEC		CAGE CODE	
WEIGHT		SCALE		DRAWING NO.	
		4:1		00779	
				557101	
				SHEET 2 OF 2	